

**SIMONSWERK**  
TECTUS®

**BRIDGEPORT  
WORLDWIDE**

FOR A DEALER IN THE U.S.  
CALL 1-800-362-1484

## TE 540 3D Energy

with continuous energy transfer for flush heavy-duty doors - with new snap-fitting connection

### hinge

#### Technical details

load capacity	264 lbs
overall length	7.874 "
width (door)	1.260 "
width (frame)	1.260 "
cutter diameter	0.945 "
opening angle	180° degree
no. of wires	16 No. of wires
wire cross section	0.006 "
max. voltage: 50 V (voltage source acc. SELV-DIN EN 61140)	
max. current	0,8 A

#### descriptive text

SIMONSWERK TECTUS TE 540 3D Energy hinge with integrated and continuous energy transfer. Completely concealed for flush doors with wood, steel and aluminum frames. With user-friendly 3-way adjustments, load capacity up to 120 kg (264 lbs), opening angle up to 180°, overall length 200 mm (7.874"), non-handed, maintenance-free slide bearings, three-dimensionally adjustable: side +/- 3.0 mm (0.118"), height +/- 3.0 mm (0.118"), compression +/- 1.0 mm (0.039"). Finish...

#### Note

The load capacity mentioned above refers to the use of 2 hinges per door leaf (height : width ratio 2:1).

Please specify accessories when ordering.

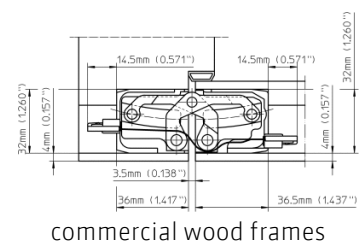
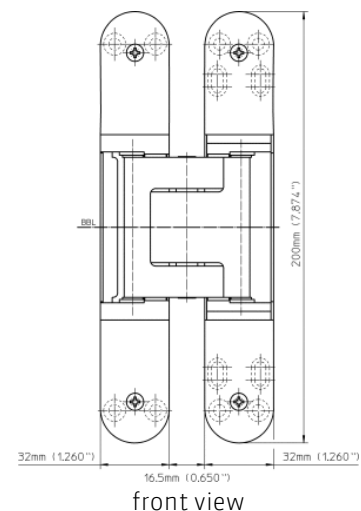
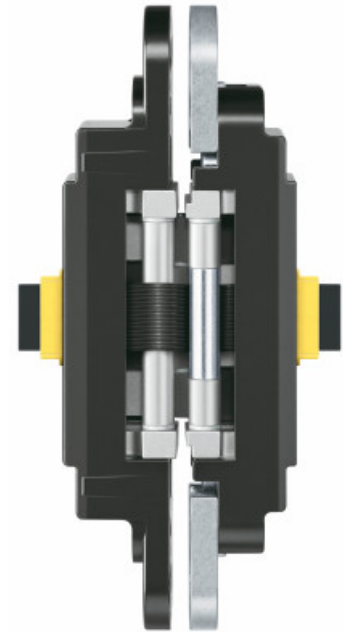
#### Product features

completely concealed hinge system  
for wood, steel or aluminum frames  
for flush commercial doors  
maintenance-free slide bearings  
easily 3D adjustable (side +/- 3.0 mm (0.118"), height +/- 3.0 mm (0.118"),  
compression +/- 1.0 mm (0.039"))  
with continuous energy transfer  
individual connection adapter options

#### Functional areas

fire resistance, smoke resistance, soundproof und forced entry resistance

#### Quality marks



# SIMONSWERK

## TECTUS®

### TE 540 3D Energy

with continuous energy transfer for flush heavy-duty doors - with new snap-fitting connection

#### hinge



#### Combination

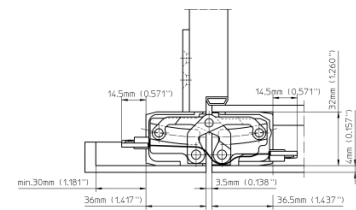
accessories	adapter 1 TECTUS Energy universal adapter TECTUS Energy round cable TECTUS Energy
receivers	TE 540 3D FZ/1 TE 540 3D SZ

#### installation tools

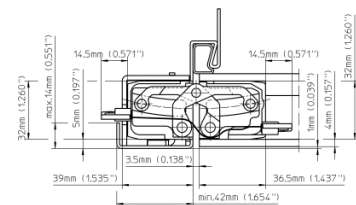
universal milling frame	
template 5 250680 5	step 1
template 5 250681 5	step 2
template 5 250939 5	flat line routing energy

#### Items (DIN reference: non-handed)

<b>Finish(es)</b>	satin chrome look (F1)
<b>packing unit</b>	pack of 1
<b>item number</b>	5 400623 0 12401
<b>Finish(es)</b>	stainless steel look (SSL)
<b>packing unit</b>	pack of 1
<b>item number</b>	5 400623 0 12601



casing wood frames



hollow metal frames