

# SIMONSWERK TECTUS

## TECTUS TE 510 3D

for unrebated heavy duty doors

**Complete hinge** up to **100 kg**

### Technical Details

Load capacity	100,0 kg
Overall length	180,0/180,0 mm
Overall width	30,0/32,0 mm
Diameter of cutter	24,0 mm

### Descriptive Text

SIMONSWERK TECTUS hinge TE 510 3D. Completely concealed for unrebated doors with wooden, steel or aluminium frames. CE certified, load value 100 kg, opening angle up to 180°, total length 180 mm, usable DIN right and left handed, maintenance-free slide bearing technology, three-dimensionally adjustable: Side +/- 3.0 mm and height +/- 3.0 mm, compression +/- 1.0 mm. Finish...

### Note

Reduced squeeze danger because of a small gap between door and frame.

### Functional areas

Sound proof, Burglar resistance und Fire resistance, Smoke resistance

### Quality Marks



### Combination

Accessories	cable set	Cable set TE 510 3D MK
Receiver	casing frame	TE 510 3D FZ/1
	steel frame	TE 510 3D SZ

### Items

finish(es)	Packing unit	DIN direction	Item number
polished brassed	Pack of 2	DIN right and left handed	54400520 0 03002
polished nickelled	Pack of 2	DIN right and left handed	54400520 0 03802
F1 colour	Pack of 2	DIN right and left handed	54400520 0 12402
F2 colour	Pack of 2	DIN right and left handed	54400520 0 12502
stainless steel look	Pack of 2	DIN right and left handed	54400520 0 12602

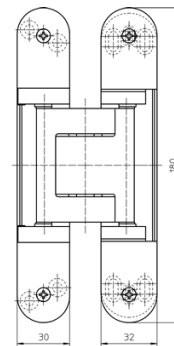


image: front view

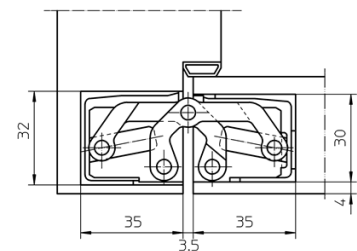


image: block frame

# SIMONSWERK TECTUS

## TECTUS TE 510 3D

for unrebated heavy duty doors

Complete hinge

up to 100 kg

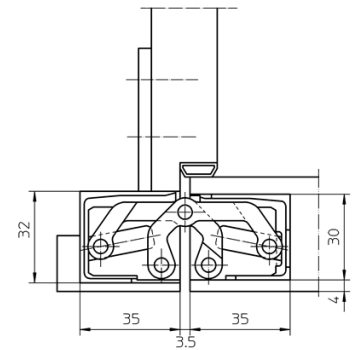


image: casing frame

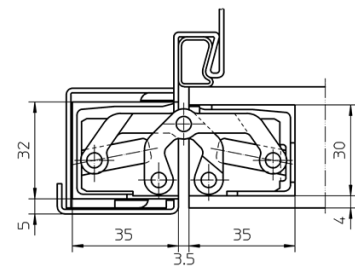


image: steel frame