

SIMONSWERK
TECTUS®

distributed in North America by :



1-800-362-1484
www.BridgeportWorldwide.com

TE 526 3D

Manufactured of solid stainless steel for flush commercial doors

hinge

Technical Details

load capacity	264 lbs
overall length	6.102 "
width (door)	1.024 "
width (frame)	1.024 "
router bit Ø	3/4 "
opening angle	180° degree

Descriptive Text

SIMONSWERK TECTUS TE 526 3D hinge manufactured of solid stainless steel (304 series). Completely concealed for flush doors with wood, steel or aluminum frames. With user-friendly 3-way adjustments, load capacity up to 120 kg (264 lbs.), opening angle up to 180°, overall length 155 mm (6.102"), non-handed, maintenance-free slide bearings, three-dimensionally adjustable: side +/- 3,0 mm (0.118"), height +/- 3,0 mm (0.118"), compression +/- 1,0 mm (0.039"). Finish...

Note

The load capacity mentioned above refers to the use of 2 hinges per door leaf with a height/width ratio of 2:1.

For a minimum door panel thickness of 34 mm (1-3/8").

For fire rated doors: Check with door manufacturer regarding the usage of additional required intumescent material.

Square-corner cover plates are available upon request.

The load capacity shall be reduced by 20% when installed in combination with a door closer.

Product Features

Solid non magnetic stainless steel (304 series) (marine grade 316 series upon request)

Completely concealed hinge system

For wood, steel or aluminum door panels and frames

For flush commercial doors

Finger protection due to a small gap between door and frame

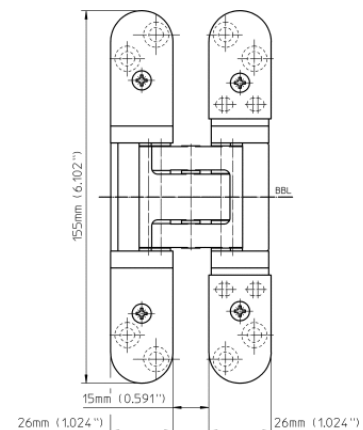
Easily adjustable in three dimensions (side +/- 3.0 mm (0.118"), height +/- 3.0 mm (0.118"), compression +/- 1.0 mm (0.039"))

Maintenance-free slide bearings

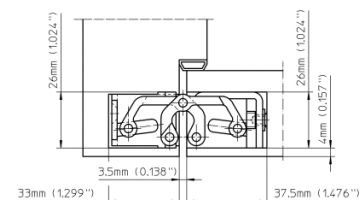
Functional Areas

fire resistance, smoke resistance, soundproof und forced entry resistance

Quality Marks



front view



commercial wood frames

SIMONSWERK
TECTUS®

distributed in North America by :



1-800-362-1484
www.BridgeportWorldwide.com

TE 526 3D

Manufactured of solid stainless steel for flush commercial doors

hinge



Combination

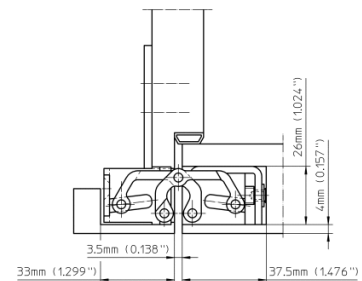
receivers	TE 526/527 3D FZ/1
	TE 526/527 3D SZ
	TE 526/527 3D ST

Installation Tools

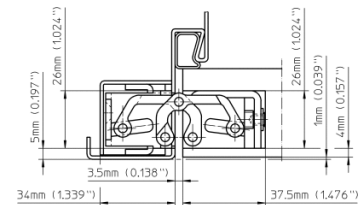
universal milling frame	
drilling jig TECTUS TE 526/527 3D	commercial wood frame
template 5 250547 6	24 mm router bit / 30 mm collar ring (frame / door)
template 5 251070 6	3/4" router bit / 1" collar ring

Items (DIN Reference: non-handed)

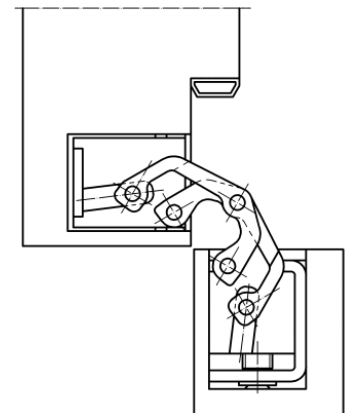
Finish(es)	satin stainless steel
packing unit	pack of 2
Item Number	5 400561 0 04002
Finish(es)	polished stainless steel
packing unit	pack of 2
Item Number	5 400561 0 04202
Finish(es)	powder-coated
packing unit	EUR-pallet
Item Number	5 400561 0 07975



casing wood frames



hollow metal frames



block frame 90°

While every due care has been taken, we cannot be held responsible for errors, omissions or defects. We kindly ask for your understanding.

© SIMONSWERK North America, Inc.

SIMONSWERK
TECTUS®

distributed in North America by :

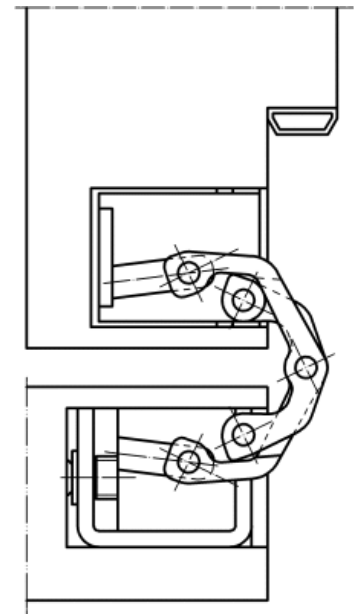


1-800-362-1484
www.BridgeportWorldwide.com

TE 526 3D

Manufactured of solid stainless steel for flush commercial doors

hinge



block frame 180°

While every due care has been taken, we cannot be held responsible for errors, omissions or defects. We kindly ask for your understanding.

© SIMONSWERK North America, Inc.

SIMONSWERK
TECTUS®

distributed in North America by :



1-800-362-1484
www.BridgeportWorldwide.com

TE 527 3D

Manufactured of mild steel for flush commercial doors

hinge

Technical Details

load capacity	264 lbs
overall length	6.102 "
width (door)	1.024 "
width (frame)	1.024 "
router bit Ø	3/4 "
opening angle	180° degree

Descriptive Text

SIMONSWERK TECTUS TE 527 3D hinge manufactured of mild steel. Completely concealed for flush doors with wood, steel or aluminum frames. With user-friendly 3-way adjustments, load capacity up to 120 kg (264 lbs.), opening angle up to 180°, overall length 155 mm (6.102"), non-handed, maintenance-free slide bearings, three-dimensionally adjustable: side +/- 3,0 mm (0.118"), height +/- 3,0 mm (0.118"), compression +/- 1,0 mm (0.039"). Finish...

Note

The load capacity mentioned above refers to the use of 2 hinges per door leaf with a height/width ratio of 2:1.

For a minimum door panel thickness of 34 mm (1-3/8").

For fire rated doors: Check with door manufacturer regarding the usage of additional required intumescent material.

Square-corner cover plates are available upon request.

The load capacity shall be reduced by 20% when installed in combination with a door closer.

Product Features

Mild steel

Completely concealed hinge system

For wood, steel or aluminum door panels and frames

For flush commercial doors

Finger protection due to a small gap between door and frame

Easily adjustable in three dimensions (side +/- 3.0 mm (0.118"), height +/- 3.0 mm (0.118"), compression +/- 1.0 mm (0.039"))

Maintenance-free slide bearings

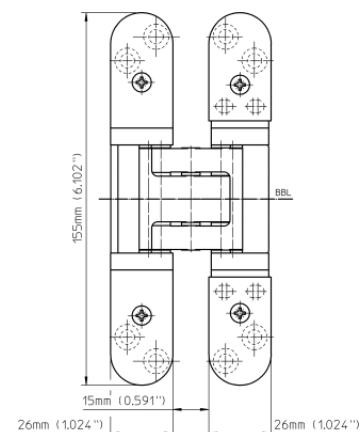
Functional Areas

fire resistance, smoke resistance, soundproof und forced entry resistance

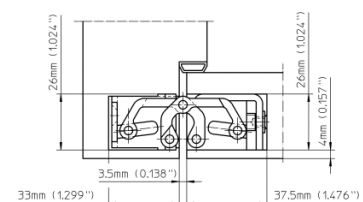
Quality Marks



www.simonswerk.com



front view



commercial wood frames

SIMONSWERK
TECTUS®

distributed in North America by :



1-800-362-1484
www.BridgeportWorldwide.com

TE 527 3D

Manufactured of mild steel for flush commercial doors

hinge

Combination

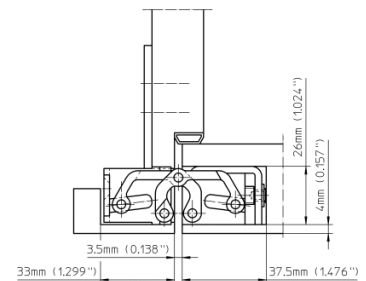
receivers	TE 526/527 3D FZ/1 TE 526/527 3D SZ TE 526/527 3D ST
-----------	--

Installation Tools

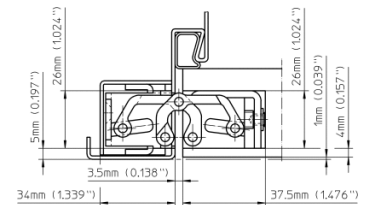
universal milling frame	
drilling jig TECTUS TE 526/527 3D	commercial wood frame
template 5 250547 6	24 mm router bit / 30 mm collar ring (frame / door)
template 5 251070 6	3/4" router bit / 1" collar ring

Items (DIN Reference: non-handed)

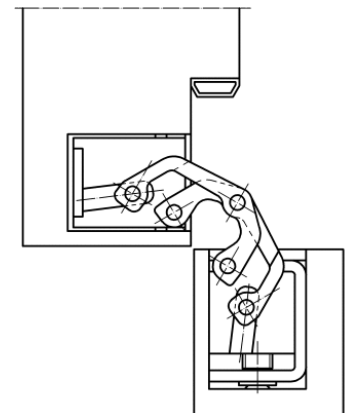
Finish(es)	powder-coated
packing unit	EUR-pallet
Item Number	5 400562 0 07975
Finish(es)	stainless steel look (SSL)
packing unit	pack of 2
Item Number	5 400562 0 12602



casing wood frames



hollow metal frames



block frame 90°

While every due care has been taken, we cannot be held responsible for errors, omissions or defects. We kindly ask for your understanding.

© SIMONSWERK North America, Inc.

SIMONSWERK
TECTUS®

distributed in North America by :

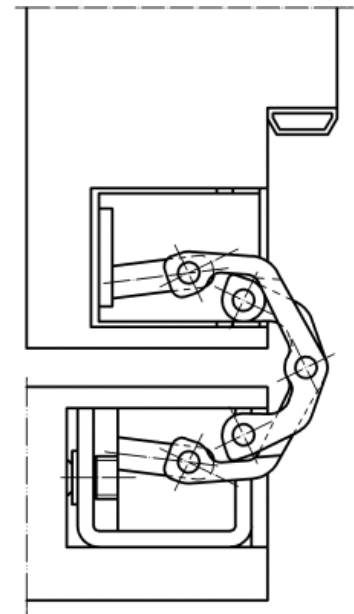


1-800-362-1484
www.BridgeportWorldwide.com

TE 527 3D

Manufactured of mild steel for flush commercial doors

hinge



block frame 180°

While every due care has been taken, we cannot be held responsible for errors, omissions or defects. We kindly ask for your understanding.

© SIMONSWERK North America, Inc.