

TECTUS® ENERGY

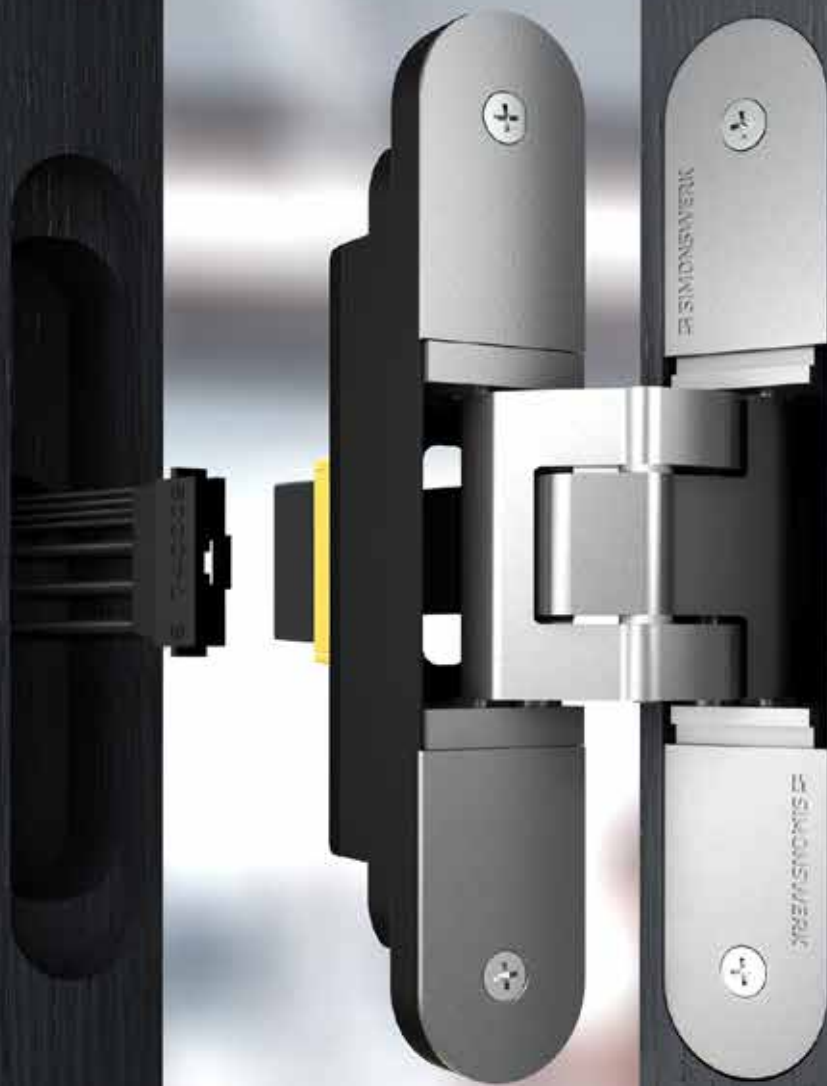
Integrated and permanent energy transfer

distributed in North America by :



1-800-362-1484

www.BridgeportWorldwide.com



TECTUS® – CONCEALED ENERGETIC POTENTIAL

The completely concealed hinge system TECTUS carries loads of up to 300 kg, facilitates an opening angle of 180 degrees and can be used on wooden, steel and aluminium frames. TECTUS ideally integrates unrebated doors in linear room concepts which feature surface-flush appearances. TECTUS's three-dimensional adjustability and maintenance-free slide bearing technology is used on high-quality residential doors and functional heavy duty doors.

The demand to also fit doors with additional electronic equipment for more operating comfort and security is steadily growing. Different versions of cable feedthroughs enable the integration of motor locks, access and door control systems and also multimedia elements.



TECTUS® ENERGY – STATE-OF-THE-ART ENERGY TRANSFER

TECTUS Energy enables permanent energy transfer, without compromising on the design aspect of surface-flush appearances. TECTUS Energy combines design, function and technology in an exemplary way and creates opportunities for new ideas.

For fitting and operating electronic components in high-quality heavy duty doors, the safe and permanent energy transfer is decisively important. TECTUS Energy secures the door leaf and permanently provides energy from the side of the frame without weakening the door or frame geometry. The technology provided together with TECTUS Energy offers compatibility with all standard versions of locks and fittings, while retaining all technical and optical features of the TECTUS product brand.

SAFE, INVISIBLE, RELIABLE

The energy transfer is completely concealed, because it is 100 % integrated into the hinge system: no visible cable loops, no pinching through inattentive handling, no vandalism. Once it has been fitted and professionally commissioned, the energy transfer runs through the interior of the hinge system.



OPTIMISED FUNCTION AND APPLICATION

If energy is meant to flow invisibly, safely and reliably, it requires a fine and precise adjustment of the individual functional units.

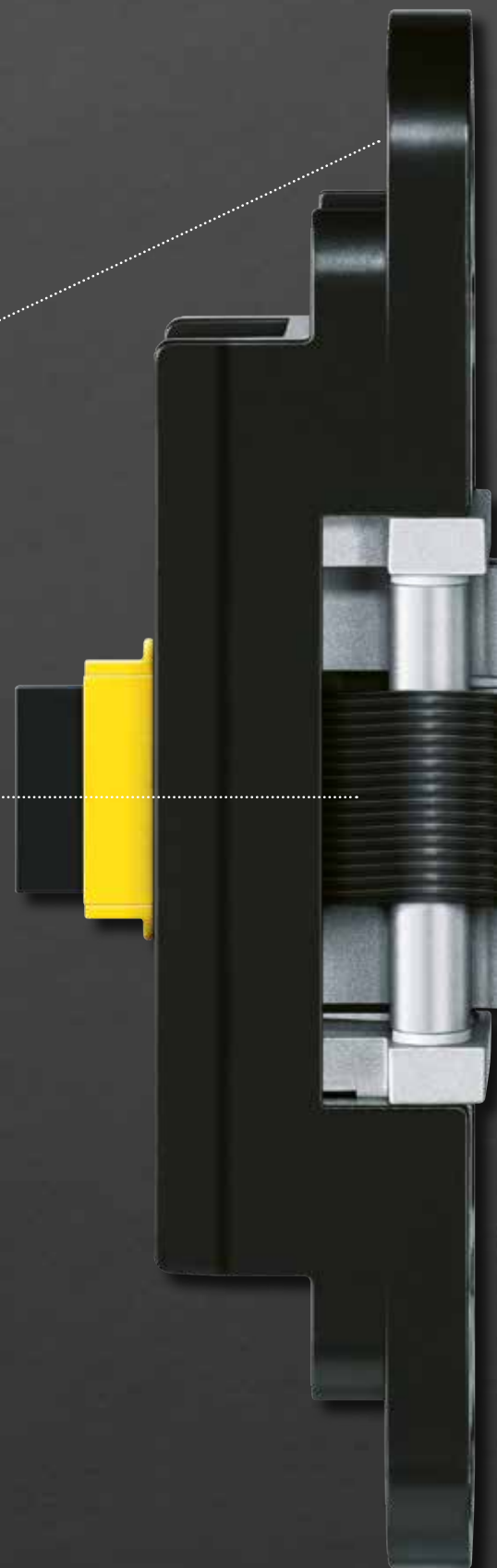
With the different components, hinge, special plug and flat ribbon cable coordinated with each other, TECTUS Energy can now be more conveniently mounted. For the initial commissioning of the system it simply has to be clicked together – and it is dismantled in the same way in the event of any possible retrofitting.

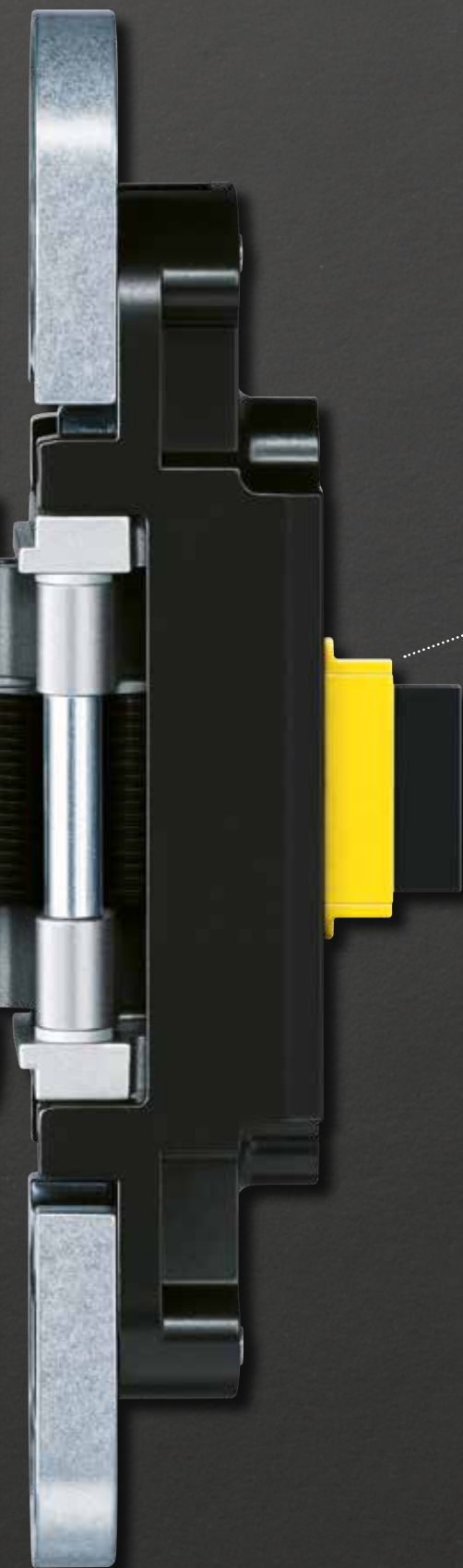
TECTUS® HINGE

- › all versions TE 240 3D – TE 645 3D
- › load capacities from 40 – 300 kg
- › also for model variants with claddings of up to 8 mm
- › stainless steel version available

FLAT RIBBON CABLE

- › 16-pole flat ribbon cable
- › completely stored in the housing





CLIP

- › fixed connection of cable and hinge housing
- › high functional safety and practical usefulness thanks to integrated system

SPECIAL PLUG

- › special plug connection
- › latch protected against polarity reversal for safely coupling and decoupling

MAXIMUM COMPATIBILITY THROUGH INDIVIDUAL ADAPTERS

Thanks to its new connection technology, the TECTUS Energy hinge system is more user-friendly and efficient. All necessary components, from the adapter on the frame and the hinge, right through to the adapter on the leaf, they are perfectly coordinated with each other in terms of the combination possibilities and compatible with each other.

Choose between a normal round cable in different lengths, a universal adapter and connection possibilities specially designed for specific applications, to secure the ideal solution for your requirement. All three plug connections are torsion-proof and fitted with a latch for locking and unlocking.



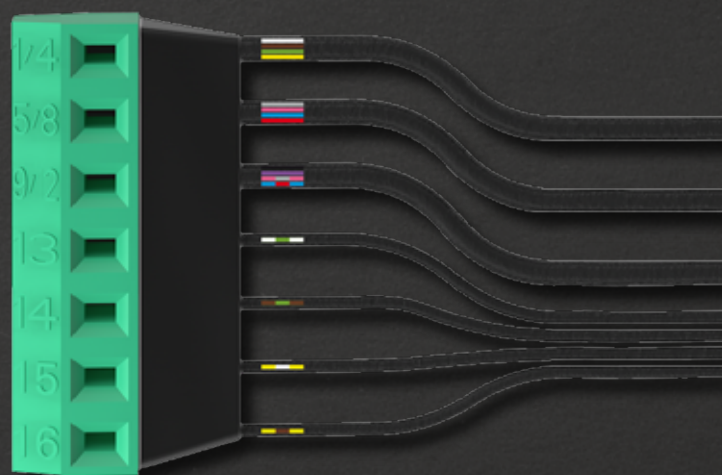
Please order the corresponding adapter for frame and door each separately.

ROUND CABLE

- › 16 x 0.8 A power
- › universal use for all applications
- › cable lengths 3 m or 10 m
- › torsion-proof and snap-fitting connection system

**UNIVERSAL ADAPTER**

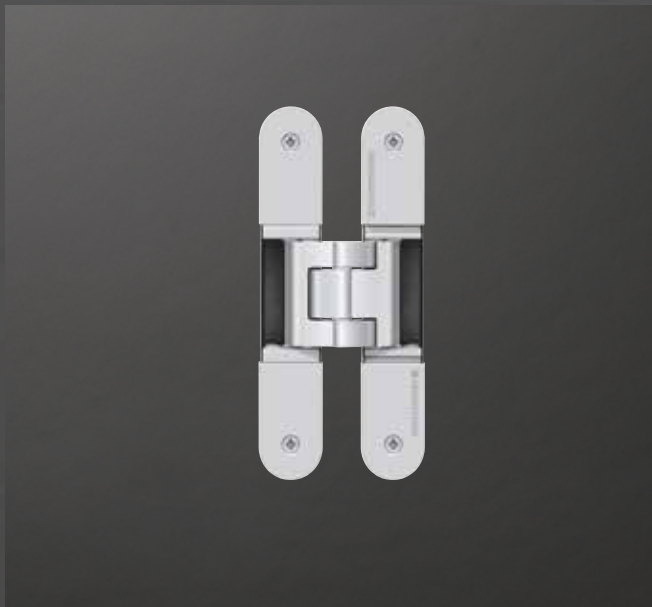
- › 3 x 3.2 A and 4 x 0.8 A power
(see schematic presentation)
- › universal adapter for direct connection
of different power collectors
- › torsion-proof and snap-fitting connection system

**ADAPTER 1**

- › 3 x 3.2 A and 4 x 0.8 A power
- › special adapter for connecting
FUHR motor locks
- › plug-and-play version
- › torsion-proof and snap-fitting connection system

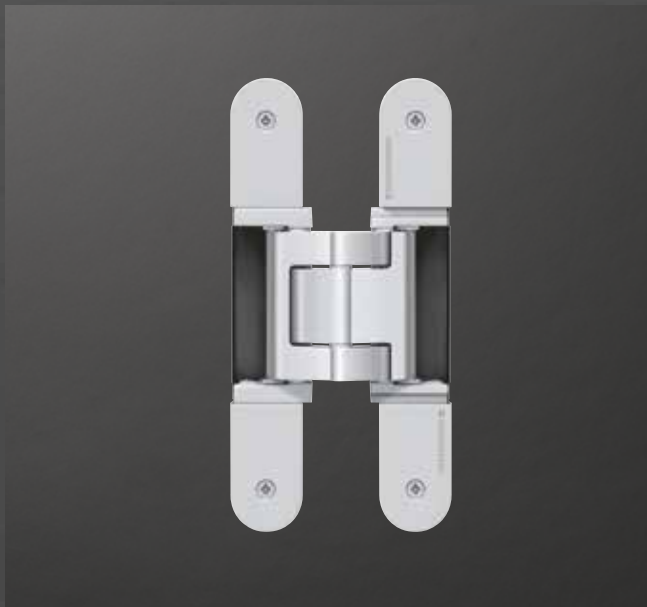


TECTUS® ENERGY FOR SPECIAL FIELDS OF APPLICATION



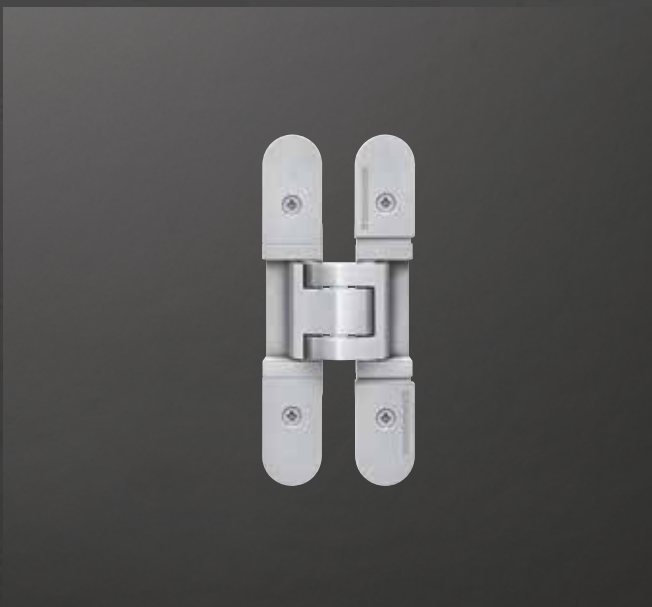
TECTUS® Energy

The hinge is available in the versions TE 240 3D to TE 640 3D.



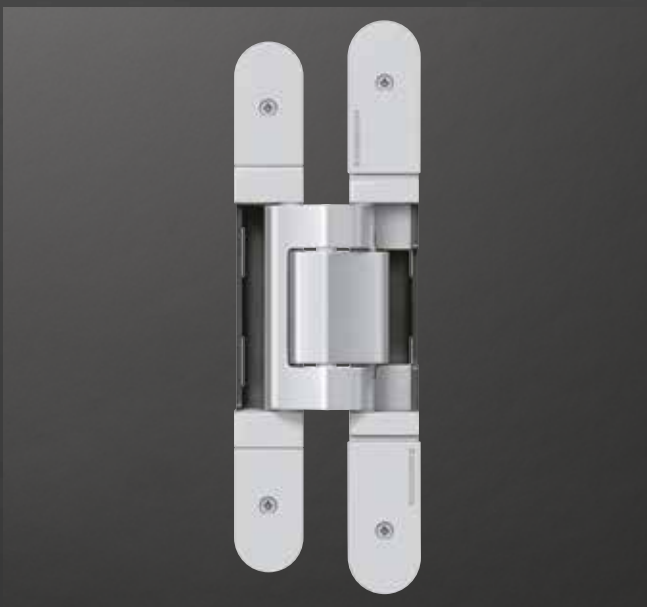
TECTUS® TE 540 / TE 640 3D A8 Energy

The model variants “A8” allow for claddings of up to 8 mm on door and frame.



TECTUS® TE 526 Energy

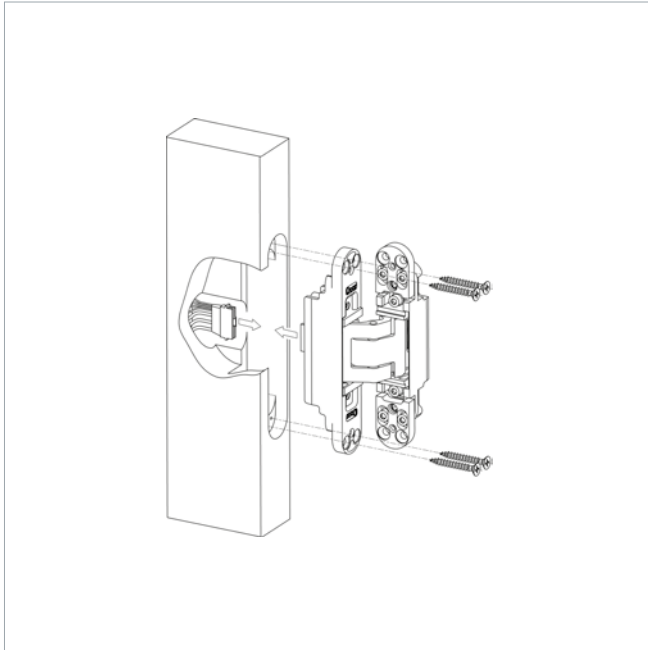
The stainless steel version of TECTUS TE 526 3D complements the series of completely concealed hinge systems, including permanent energy transfer.



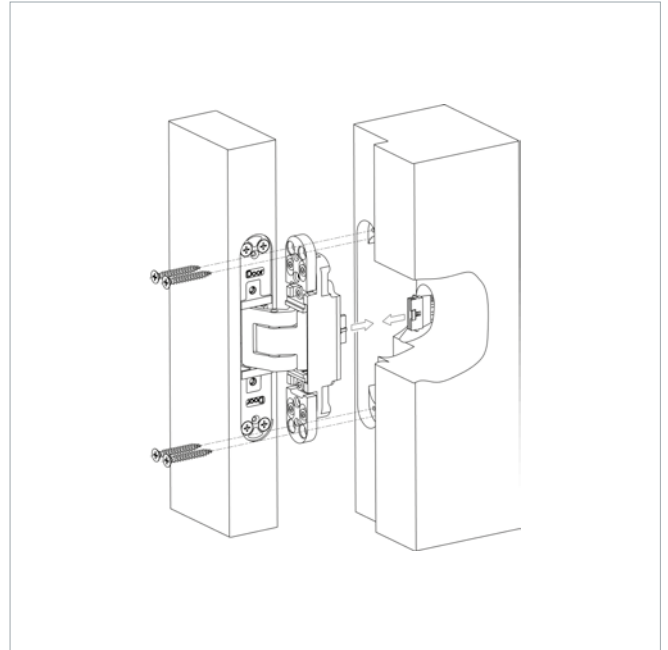
TECTUS® TE 645 3D Energy

The TE 645 3D hinge system for heavy duty and functional doors is capable of loading capacities of up to 300 kg for use on extremely heavy door elements.

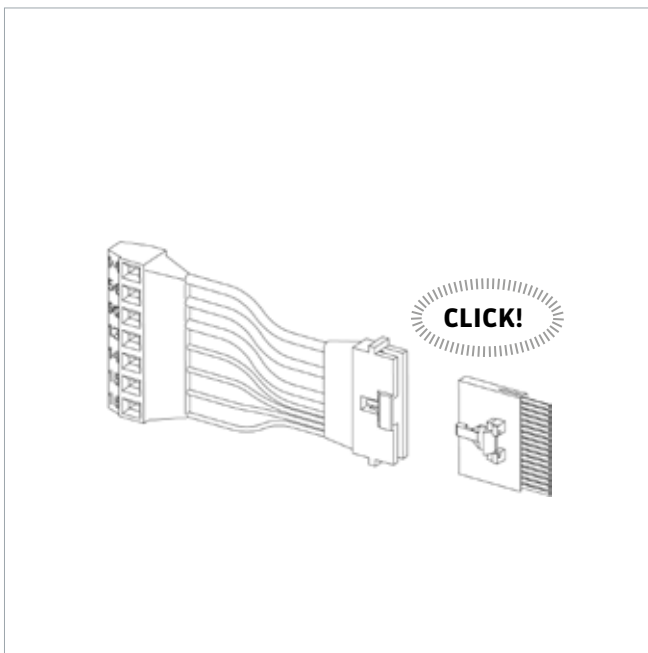
SIMPLE ASSEMBLY



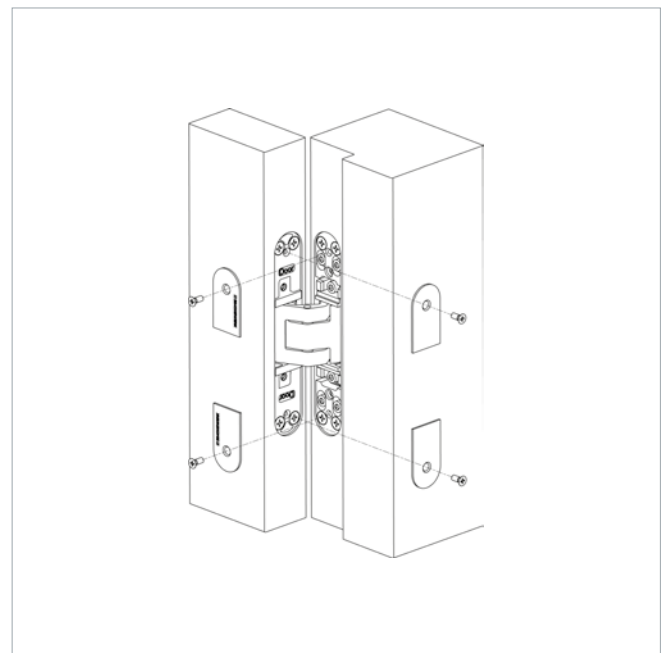
Sharp edges should be avoided in the cable feedthroughs to protect against cable damage. Conduct additional routing on both sides for the cable feedthrough. Establish the plug connection and mount the door part.



Establish the plug connection in the frame part – depending on adapter version used – and fix the frame part corresponding to frame type.



Plug connections must always click into place. Press the latch to unlock.



Screw the small cover plates onto the frame and door part with the enclosed, self-tapping screws.

SERVICE – COMPREHENSIVE KNOW-HOW FOR EVERYDAY WORKING LIFE

We would be glad to provide you with all the documents you require for determining the right hinge system. Contact us and together we will work out the best solution for you – from high-quality standard elements to complex solutions.

In our PRODUCTSELECTOR you will find all other information you may require to complement this document. You are simply guided through the user-friendly navigation till you reach the comprehensive and detailed solutions.

VISIT OUR PRODUCTSELECTOR

At www.simonswerk.com you will find exact details and precise product descriptions, which will make it easier for you – as a manufacturer, distributor, specifier and planner – to choose the right hinge system.



You are here: Productselector

Quick search

model description

Brand

Please select

Topic

Please select

Novelties

Please select

scope of application

- heavy-duty door
- residential door
- entrance door
- window
- metalworking

function range

- finger protection
- fire resistance, smoke resistance
- soundproof
- burglar resistance

product type

- hinge
- cover angle
- accessories
- receiver

type of door leaf

- timber
- metal
- glass
- PVCu
- aluminium

rebate

- rebated
- rebated flush
- unrebated

type of frame

- blind frame
- block frame
- casing frame
- steel frame
- aluminium frame

door weight (kg)

0-19	101-120
20-40	121-160
41-80	161-200
81-100	201-300



Technical information

Assistance in selecting the proper hinge for different applications.

[→ read more](#)



TECTUS Energy

Integrated and permanent energy transfer without ignoring the flush interior design.

[→ view model versions](#)



Novelties - Between door and frame

New hinge systems for applications on heavy-duty, residential and entrance doors.

[→ view model versions](#)

VISIT OUR PRODUCTSELECTOR ON:
www.simonswerk.com



SIMONSWERK GmbH

Bosfelder Weg 5
D-33378 Rheda-Wiedenbrück
Germany

Fon +49 (0)5242/413-0
Fax +49 (0)5242/413-260

sales@simonswerk.de
www.simonswerk.com

distributed in North America by :



1-800-362-1484
www.BridgeportWorldwide.com

Productbrochure TECTUS® Energy, 5 800396 0 00001/2.0
SIMONSWERK do not accept responsibility for misprints and subsequent specification changes
although every effort has been made to avoid any errors during preparation of this brochure.