

SIMONSWERK
TECTUS®

BRIDGEPORT
WORLDWIDE

FOR A DEALER IN THE U.S.
CALL 1-800-362-1484

TE 645 3D Energy

with continuous energy transfer for flush high performance heavy-duty doors -
with new snap-fitting connection

hinge

Technical details

load capacity	661 lbs
length (door/frame)	10.236/11.024 "
width (door)	1.339 "
width (frame)	1.417 "
cutter diameter	0.945 "
opening angle	180° degree
no. of wires	16 No. of wires
wire cross section	0.006 "
max. voltage: 50 V (voltage source acc. SELV-DIN EN 61140)	
max. current	0,8 A

descriptive text

SIMONSWERK TECTUS hinge TE 645 3D Energy with integrated and continuous energy transfer. Completely concealed for flush, high performance heavy-duty doors with wood, steel and aluminum frames. With easy 3D adjustment, load capacity up to 300 kg (661 lbs), opening angle up to 180°, overall length 280 mm (11.024"), right hand and left hand applicable, maintenance-free slide bearings, three-dimensionally adjustable: side +/- 3,0 mm (0.118"), height +/- 3,0 mm (0.118"), compression +/- 1,0 mm (0.039"). Finish...

Note

The load capacity mentioned above refers to the use of 2 hinges per door leaf (height : width ratio 2:1).

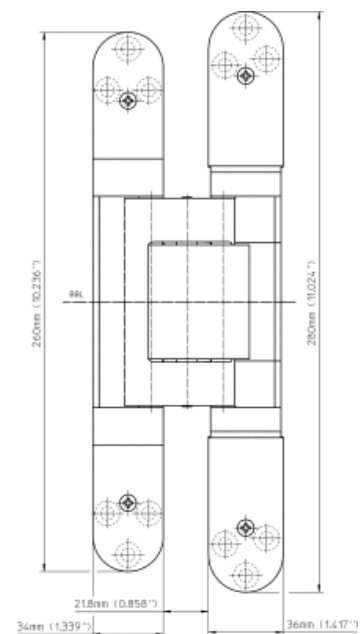
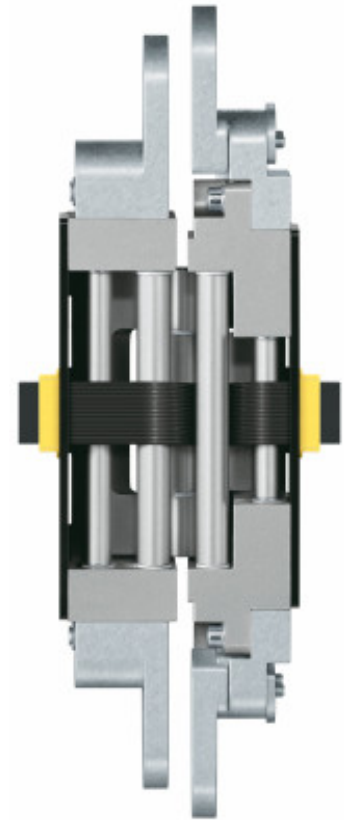
Application on steel frames is subject to special frame facings.
Please specify accessories when ordering.

Product features

completely concealed hinge system
for wood, steel or aluminum frames
for flush high performance commercial doors
maintenance-free slide bearings
easily 3D adjustable (side +/- 3.0 mm (0.118"), height +/- 3.0 mm (0.118"),
compression +/- 1.0 mm (0.039"))
with continuous energy transfer
individual connection adapter options

Functional areas

fire resistance, smoke resistance, soundproof und forced entry resistance



front view

SIMONSWERK

TECTUS®

TE 645 3D Energy

with continuous energy transfer for flush high performance heavy-duty doors - with new snap-fitting connection

hinge

Combination

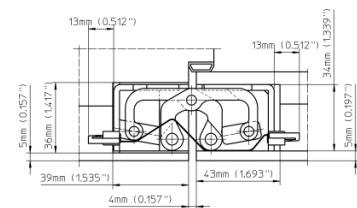
accessories	adapter 1 TECTUS Energy universal adapter TECTUS Energy round cable TECTUS Energy
receivers	TE 645 3D SZ

installation tools

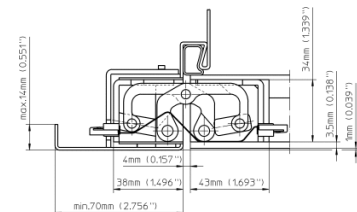
universal milling	
frame long	
template 5 250945 5	frame, step 1
template 5 250946 5	frame, step 2
template 5 250947 5	door, step 1
template 5 250948 5	door, step 2

Items (DIN reference: non-handed)

Finish(es)	satin chrome look (F1)
packing unit	pack of 1
item number	5 400650 0 12401
Finish(es)	stainless steel look (SSL)
packing unit	pack of 1
item number	5 400650 0 12601



commercial wood frames



hollow metal frames