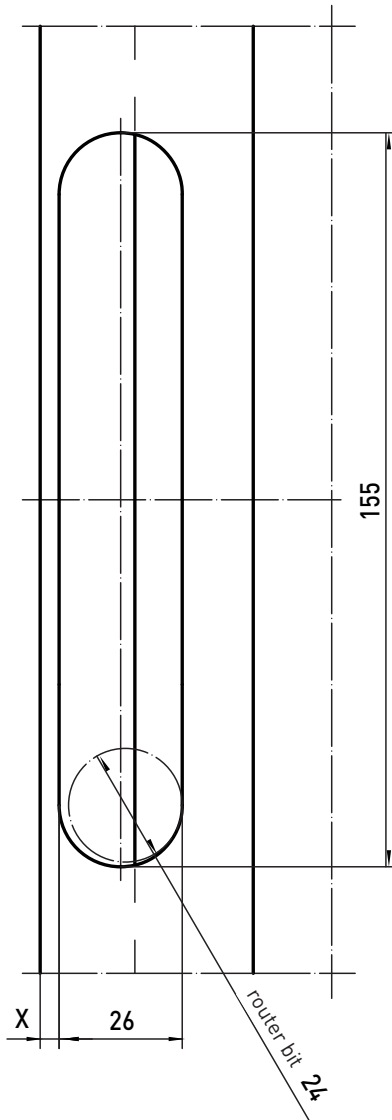


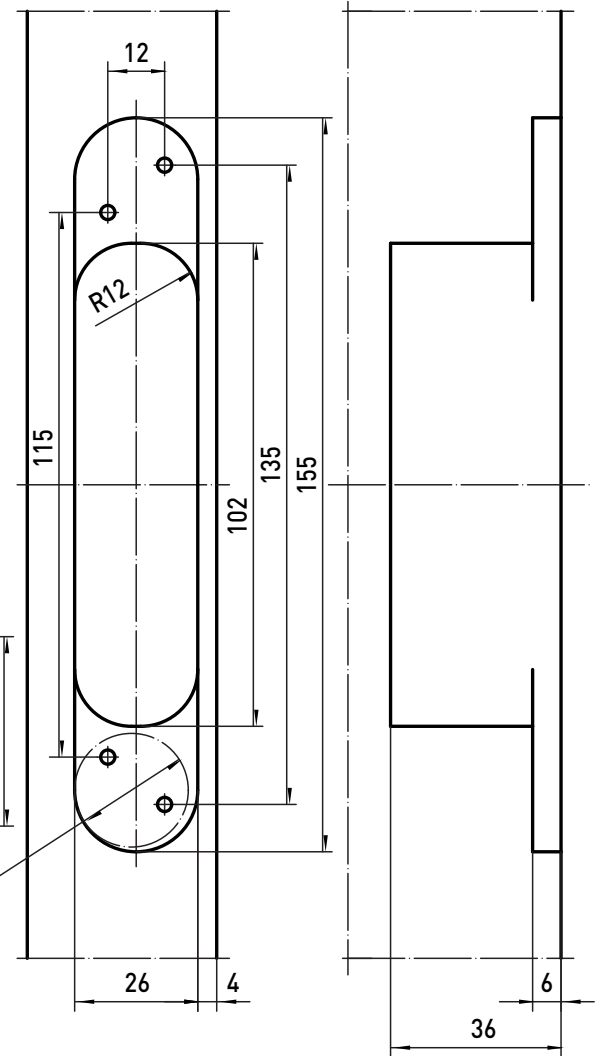
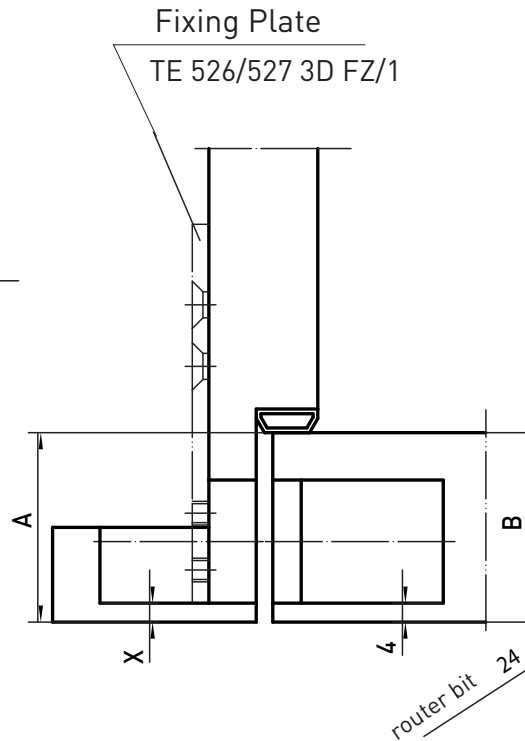
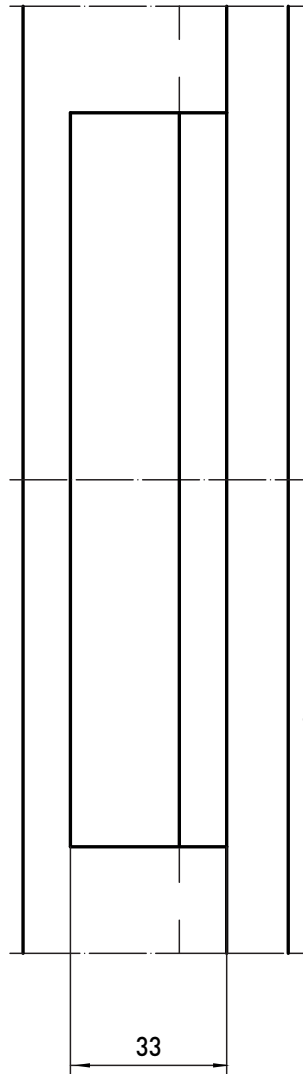
TECTUS® TE 526/527 3D : CASING FRAME

A = Depth of frame rebate up to sealing
 B = Thickness of door leaf resp. 1st door rebate
 $A - B + 4 = \text{Measure X}$
 The result has to be a measure between 4,0 mm and max. 6,0 mm. (Steel frame: X = 5,0 mm)

Fixing Plate
 TE 526/527 3D FZ/1



MILLING : FRAME



MILLING : DOOR LEAF