

SIMONSWERK
TECTUS®

distributed in North America by :



1-800-362-1484
www.BridgeportWorldwide.com

TE 540 3D

For flush commercial doors

hinge

Technical Details

load capacity	264 lbs
overall length	7.874 "
width (door)	1.260 "
width (frame)	1.260 "
router bit Ø	3/4 "
opening angle	180° degree

Descriptive Text

SIMONSWERK TECTUS TE 540 3D hinge. Completely concealed for flush doors with wood, steel and aluminum frames. UL listed for 20 minute rated fire doors, with user-friendly 3-way adjustments, load capacity up to 120 kg (264 lbs.), opening angle up to 180°, overall length 200 mm (7.874"), non-handed, maintenance-free slide bearings, three-dimensionally adjustable: side +/- 3.0 mm (0.118"), height +/- 3.0 mm (0.118"), compression +/- 1.0 mm (0.039"). Finish...

For a minimum door panel thickness of 40 mm (1-5/8").

For fire rated doors: Check with door manufacturer regarding the usage of additional required intumescent material.

Square-corner cover plates are available upon request.

The load capacity shall be reduced by 20% when installed in combination with a door closer.

Product Features

Completely concealed hinge system

For wood, steel or aluminum door panels and frames

For flush commercial doors

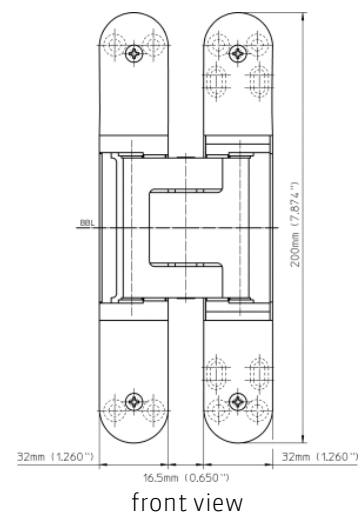
Finger protection due to a small gap between door and frame

Easily adjustable in three dimensions (side +/- 3.0 mm (0.118"), height +/- 3.0 mm (0.118"), compression +/- 1.0 mm (0.039"))

Maintenance-free slide bearings

Functional Areas

fire resistance, smoke resistance, soundproof und forced entry resistance



Quality Marks



Combination

receivers	TE 540 3D FZ/1
receivers	TE 540 3D SZ

SIMONSWERK

TECTUS®

TE 540 3D

For flush commercial doors

hinge

Combination

receivers TE 540 3D/540 3D A8 ST

Installation Tools

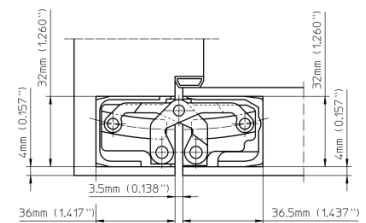
universal milling frame

template 5 250680 5 24 mm router bit / 30 mm collar ring (step 1)

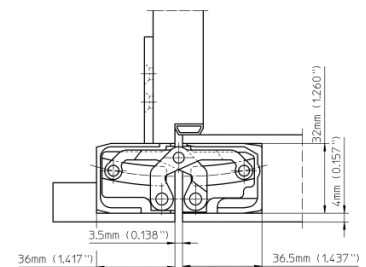
template 5 250681 5 24 mm router bit / 30 mm collar ring (step 2)

template 5 251060 5 3/4" router bit / 1" collar ring (step 1)

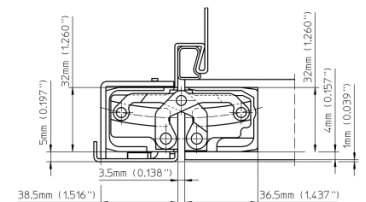
template 5 251061 5 3/4" router bit / 1" collar ring (step 2)



commercial wood frames



casing wood frames



hollow metal frames

SIMONSWERK

TECTUS®

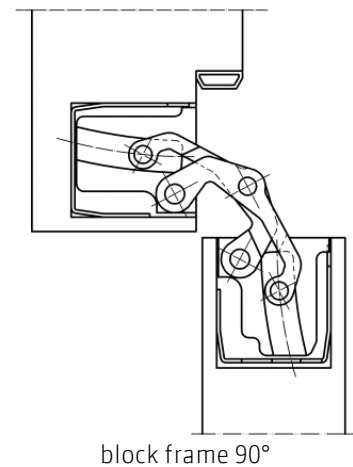
TE 540 3D

For flush commercial doors

hinge

Items (DIN Reference: non-handed)

Finish(es)	polished brass
packing unit	pack of 2
Item Number	5 400611 0 03002
Finish(es)	polished nickel
packing unit	pack of 2
Item Number	5 400611 0 03802
Finish(es)	traffic white - RAL 9016
packing unit	pack of 2
Item Number	5 400611 0 07002
Finish(es)	powder-coated
packing unit	EUR-pallet
Item Number	5 400611 0 07975
Finish(es)	matte deep black - RAL 9005
packing unit	pack of 2
Item Number	5 400611 0 10702
Finish(es)	satin chrome look (F1)
packing unit	pack of 2
Item Number	5 400611 0 12402
Finish(es)	satin nickel look (F2)
packing unit	pack of 2
Item Number	5 400611 0 12502
Finish(es)	stainless steel look (SSL)
packing unit	pack of 2
Item Number	5 400611 0 12602
Finish(es)	satin-nickel
packing unit	pack of 2
Item Number	5 400611 0 14402
Finish(es)	satin chrome
packing unit	pack of 2
Item Number	5 400611 0 14602
Finish(es)	rustic umber
packing unit	pack of 2
Item Number	5 400611 0 15602
Finish(es)	bronze metallic
packing unit	pack of 2
Item Number	5 400611 0 16802
Finish(es)	bronze finish
packing unit	pack of 2
Item Number	5 400611 0 17402
Finish(es)	bronze finish light
packing unit	pack of 2
Item Number	5 400611 0 17502
Finish(es)	bronze finish dark
packing unit	pack of 2
Item Number	5 400611 0 17602

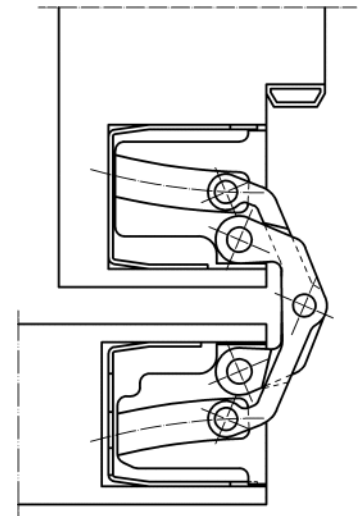


SIMONSWERK TECTUS®

TE 540 3D

For flush commercial doors

hinge



block frame 180°

While every due care has been taken, we cannot be held responsible for errors, omissions or defects. We kindly ask for your understanding.