

SIMONSWERK
TECTUS®

distributed in North America by :



1-800-362-1484
www.BridgeportWorldwide.com

TE 541 3D FVZ

For flush residential and commercial doors with recessed frame facings

hinge

Technical Details

load capacity	220 lbs
overall length	7.283 "
width (door)	1.102/1.260 "
width (frame)	1.102/1.299 "
router bit Ø	3/4 "
opening angle	180° degree

Descriptive Text

SIMONSWERK TECTUS hinge TE 541 3D FVZ for 14,0 mm (0.551") recessed frame facings (FVZ). Completely concealed for unrebated doors with timber, steel and aluminium frames. With comfortable 3D adjustment, load capacity up to 100 kg (220 lbs.), opening angle up to 180°, overall length 185 mm, right hand and left hand applicable, maintenance-free slide bearings, three-dimensionally adjustable: side +/- 3,0 mm (0.118"), height +/- 3,0 mm (0.118"), compression +/- 1,0 mm (0.039"). Finish...

Note

The load capacity mentioned above refers to the use of 2 hinges per door leaf with a height/width ratio of 2:1.

Typical use with door thickness of 44 mm (1-3/4"), but can also be used with higher thicknesses.

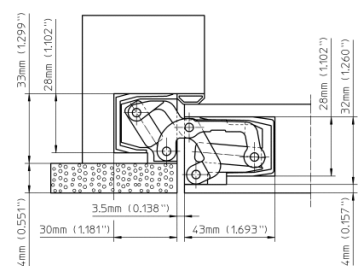
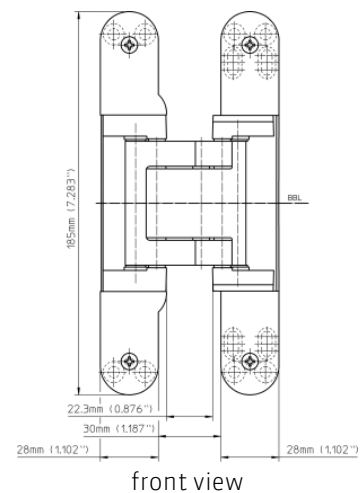
Product Features

FVZ = for 14.0 mm (0.551") recessed frame facings
Completely concealed hinge system
For wood, steel or aluminum door panels and frames
For flush residential and commercial doors
Finger protection due to a small gap between door and frame
Easily adjustable in three dimensions (side +/- 3.0 mm (0.118"), height +/- 3.0 mm (0.118"), compression +/- 1.0 mm (0.039"))
Maintenance-free slide bearings

Functional Areas

fire resistance, smoke resistance und soundproof

Quality Marks



SIMONSWERK

TECTUS®

TE 541 3D FVZ

For flush residential and commercial doors with recessed frame facings

hinge

Combination

receivers	TE 541 3D FVZ FZ/1
receivers	TE 541 3D FVZ SZ
receivers	TE 541 3D FVZ ST

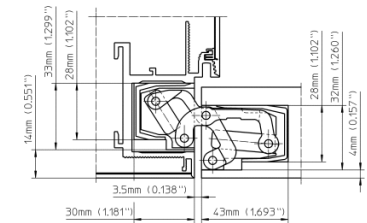
Installation Tools

universal milling frame	
template 5 250682 5	24 mm router bit / 30 mm collar ring (frame, step 3)
template 5 250942 5	24 mm router bit / 30 mm collar ring (frame / door, step 1)
template 5 250943 5	24 mm router bit / 30 mm collar ring (frame / door, step 2)
template 5 250944 5	24 mm router bit / 30 mm collar ring (door, step 3)
template 5 251068 5	3/4" router bit / 1" collar ring (frame, step 3)
template 5 251071 5	3/4" router bit / 1" collar ring (frame / door, step 1)
template 5 251072 5	3/4" router bit / 1" collar ring (frame / door, step 2)
template 5 251073 5	3/4" router bit / 1" collar ring (door, step 3)

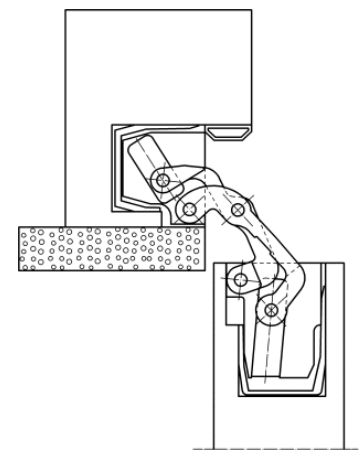
Items (DIN Reference: non-handed)

Finish(es)	powder-coated
packing unit	EUR-pallet
Item Number	5 400631 0 07975
Finish(es)	satın chrome look (F1)
packing unit	pack of 2
Item Number	5 400631 0 12402
Finish(es)	satın nickel look (F2)
packing unit	pack of 2
Item Number	5 400631 0 12502
Finish(es)	stainless steel look (SSL)
packing unit	pack of 2
Item Number	5 400631 0 12602

recessed frame



recessed aluminum frame facings



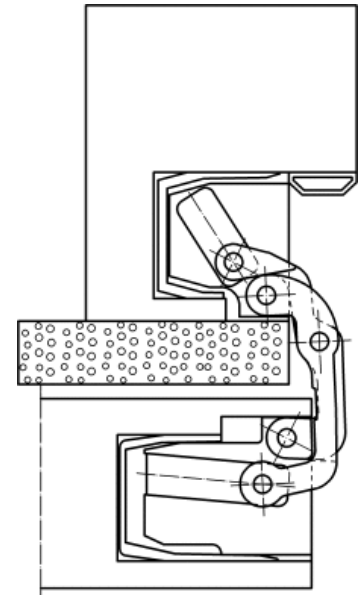
recessed frame facings 90°

SIMONSWERK TECTUS®

TE 541 3D FVZ

For flush residential and commercial doors with recessed frame facings

hinge



recessed frame facings 180°